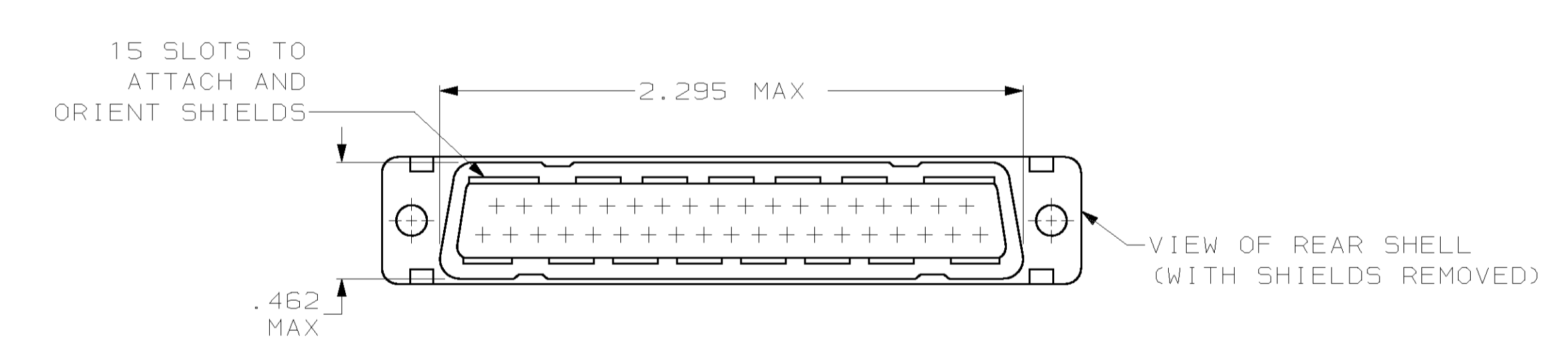
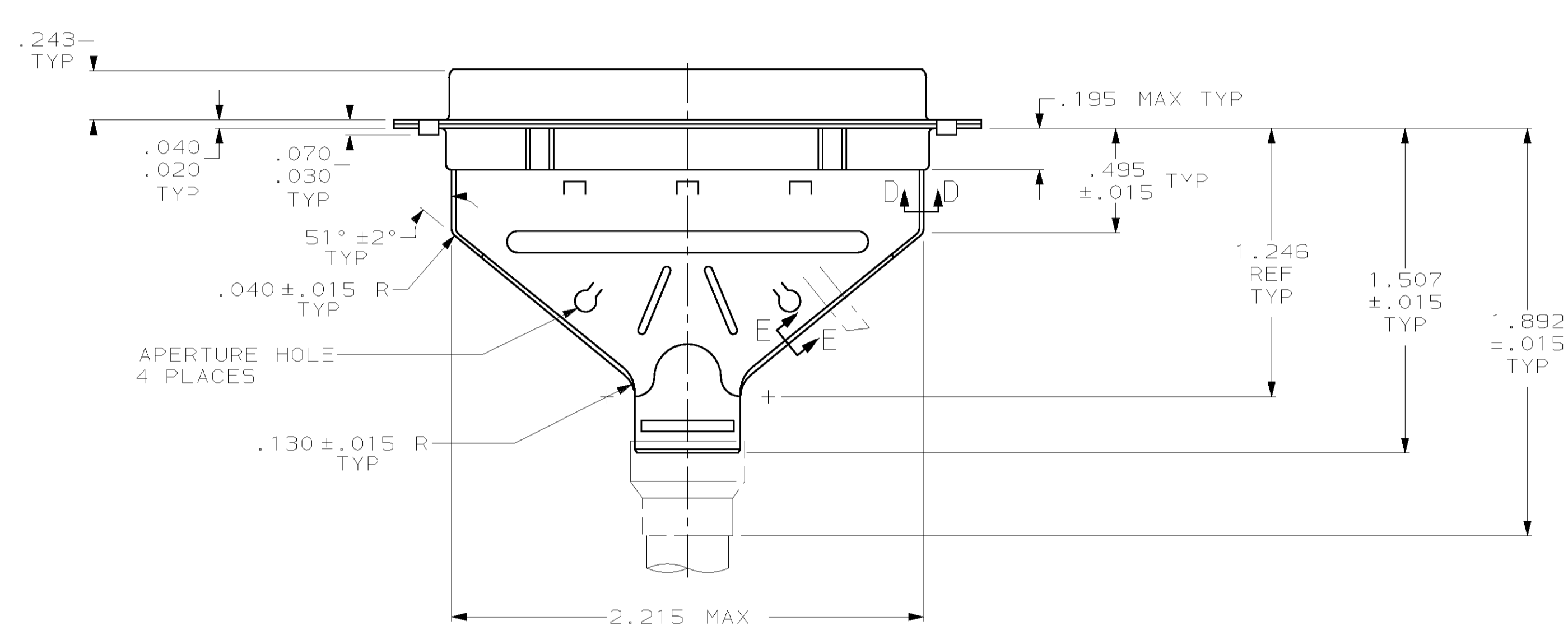
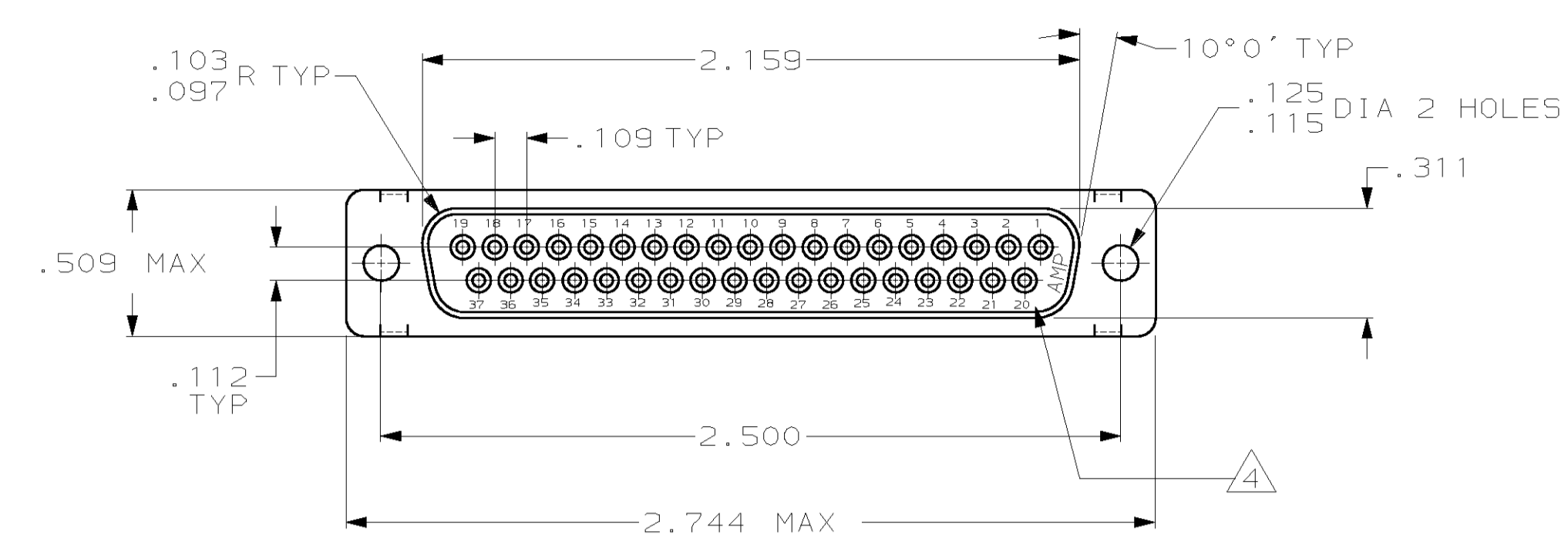
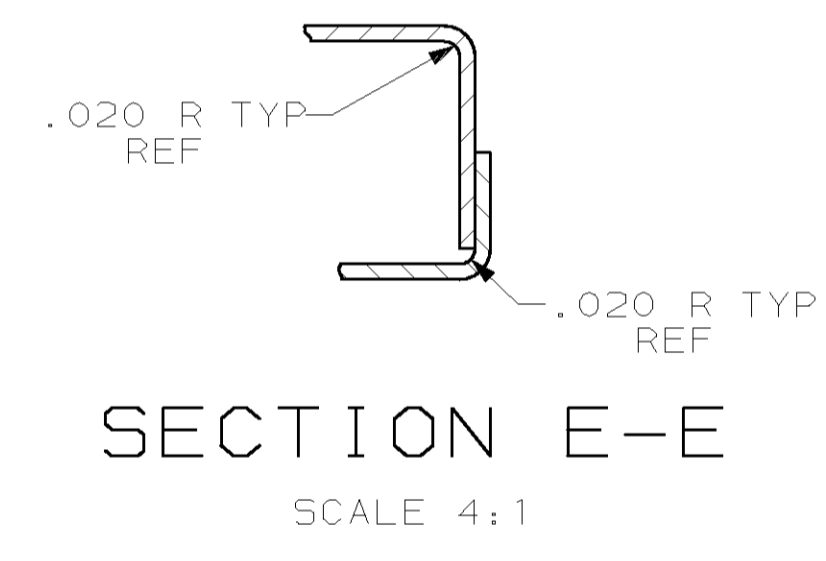
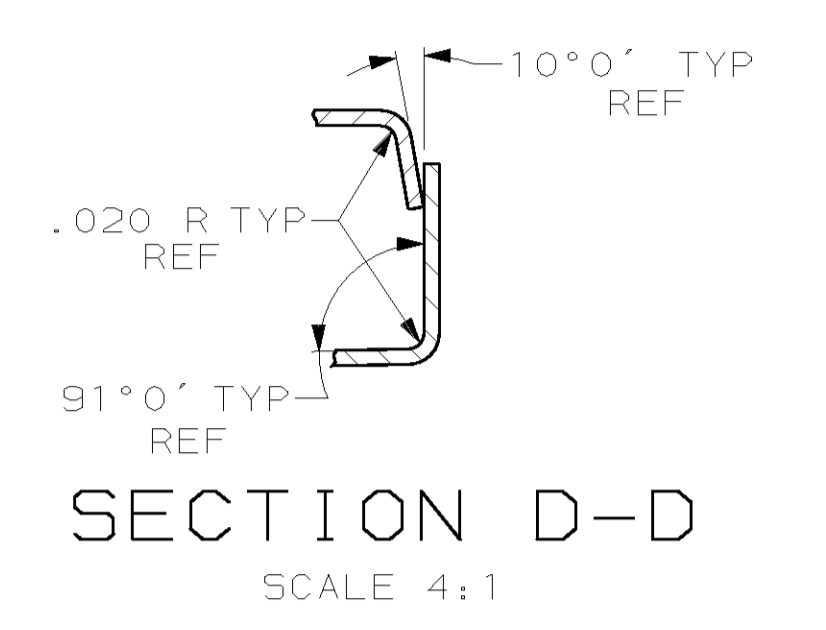
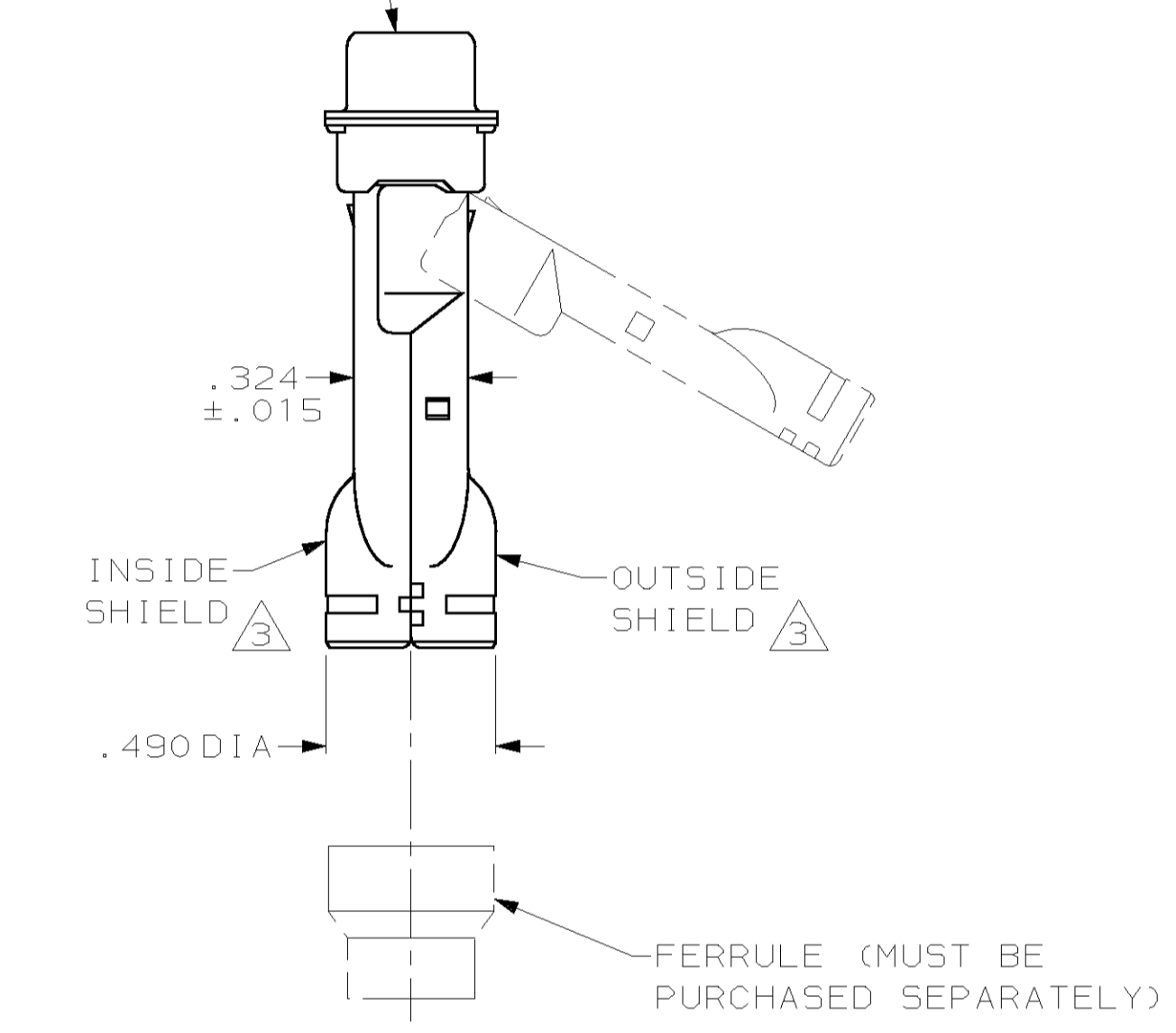


LOC	DIST	REV	DESCRIPTION	DATE	DWN	APPR
GP	00	0	RELEASED PER EC 0513-0196-03	31JUL03	JR	JG



RCPT CONNECTOR  
 INSERTS: BLACK GLASS-FILLED NYLON, 94V-0 RATED.  
 SHELLS: STEEL PER ASTM A109, PLATED, .000200 MIN TIN OVER .000100 MIN COPPER UNDERPLATE.



- 1 RCPT ACCEPTS SIZE 20 SOCKET CONTACTS (CONTACTS MUST BE ORDERED SEPARATELY).
- 2. ALL PARTS SHIPPED UNASSEMBLED, EACH PART INDIVIDUALLY BULK PACKED.
- 3 SHIELDS: MATERIAL-.020 THICK STEEL, PER ASTM A109, PLATED .000200 MIN TIN OVER .000100 MIN COPPER UNDERPLATE.
- 4 RAISED CAVITY IDENTIFICATION AND AMP TRADEMARK.

1658651-1  
 PART NUMBER

THIS DRAWING IS A CONTROLLED DOCUMENT.		DWN J. REITZEL 31JUL03	AMP Incorporated Harrisburg, PA 17105-3608	
DIMENSIONS: INCH		CHK S. BOJASH 31JUL03	NAME M. WALMSLEY 31JUL03	PRODUCT SPEC KIT, RCPT, SHIELDING HARDWARE, SIZE 4, 37 POSN, AMPLIMITE™ HDP-20
TOLERANCES UNLESS OTHERWISE SPECIFIED:		APPLICATION SPEC 108-40030		RESTRICTED TO
0 PLC ±-		114-40030		SIZE A1
1 PLC ±-		WEIGHT		CAGE CODE 00779
2 PLC ±.005		DRAWING NO 1658651		SCALE 2:1
3 PLC ±.005		SHEET 1 OF 1		REV 0
4 PLC ±-		CUSTOMER DRAWING		
ANGLES 40° 30'				
MATERIAL SEE CALL OUT				
FINISH SEE CALL OUT				